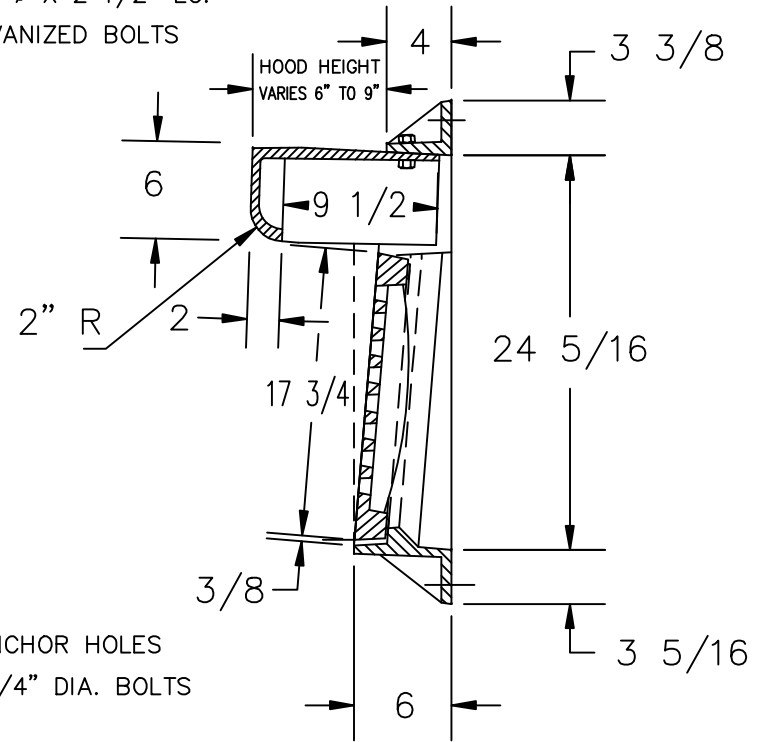
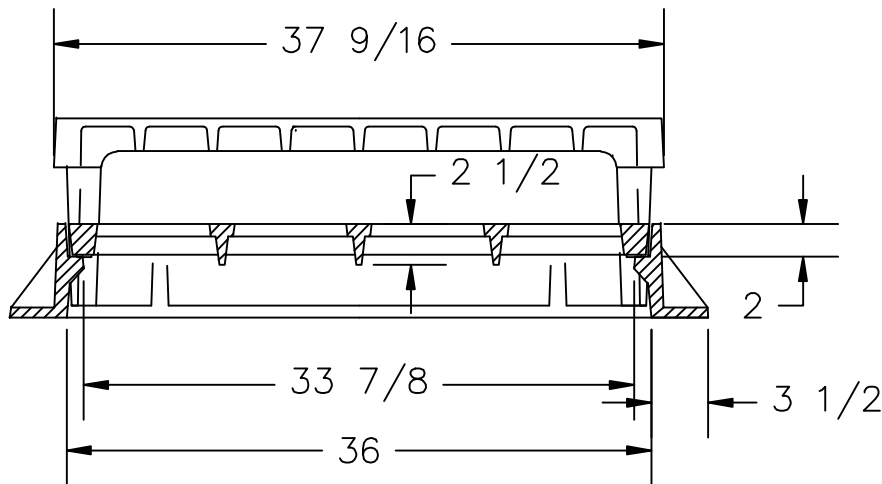


1/2"  $\phi$  X 2 1/2" LG.  
GALVANIZED BOLTS



(4) ANCHOR HOLES  
FOR 3/4" DIA. BOLTS




**NOTE:**

FRAME: WT 195 LBS. APP.

HOOD: WT 125 LBS. APP.

GRATE: WT 148 LBS. APP.

 <b>U.S. FOUNDRY &amp; MFG. CORP.</b> MEDLEY, FLORIDA	
DESCRIPTION USF 5130 FRAME , HOOD & 6000 GRATE	
MATERIAL: ASTM-A48      GRAY IRON CLASS: 30B	
RING WEIGHT:      COVER WEIGHT:	
UNLESS OTHERWISE NOTED WEIGHT IS IN POUNDS AND APPROXIMATED	
DWN. BY: ULS	SCALE: 1"=1'
ITEM No: 8050056	
DWG. DATE: 12-15-04	REV: 1
DWG. No: A6831	REV: 1

REV:	DATE:	DESCRIPTION:
1	06-28-05	ITEM # CORRECTED

REV BY: NR

CHK. BY: