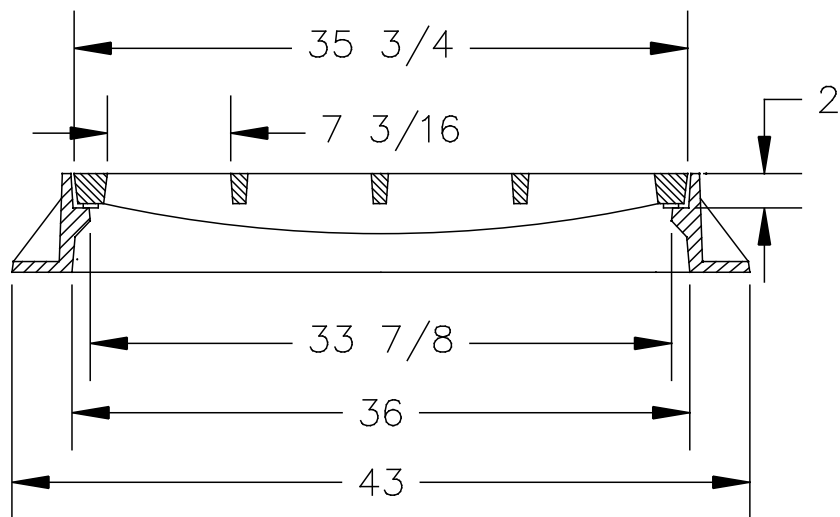
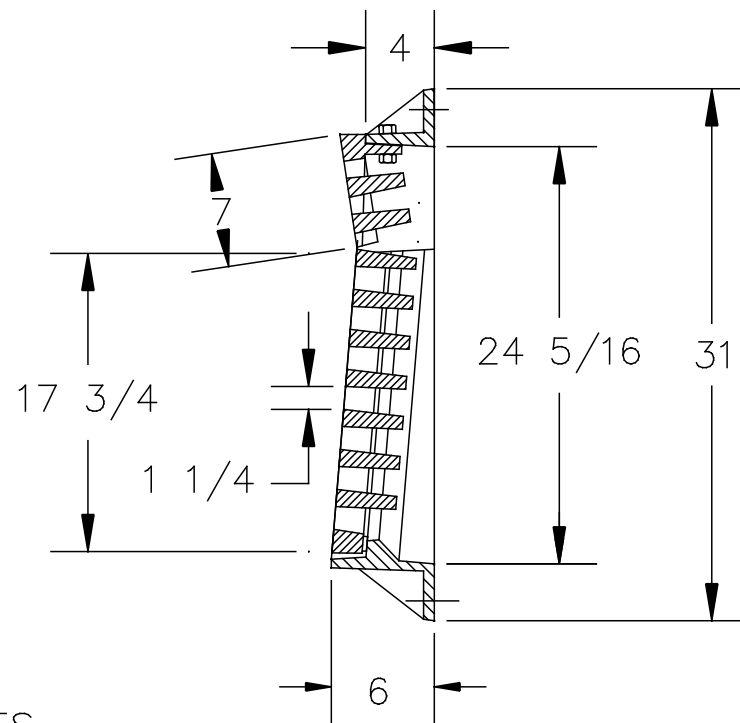
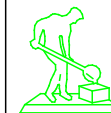


(4) 7/8" DIA.
ANCHOR HOLES



NOTES:

- 1- MATERIAL: ASTM A48 CLASS 35B GRAY IRON.
- 2- FRAME WT: 195 LBS. APP.
- 3- LARGE GRATE WT: 215 LBS. APP.
- 4- SMALL GRATE WT: 80 LBS. APP.



U.S. FOUNDRY & MFG. CORP.
MEDLEY, FLORIDA

USF 5120 FRAME
& 6167 GRATE

DWN. BY: DBB	SCALE: 1" = 1'-0"	DATE: 2/15/99
CHK. BY:	DWG. NO: A4370	REV: