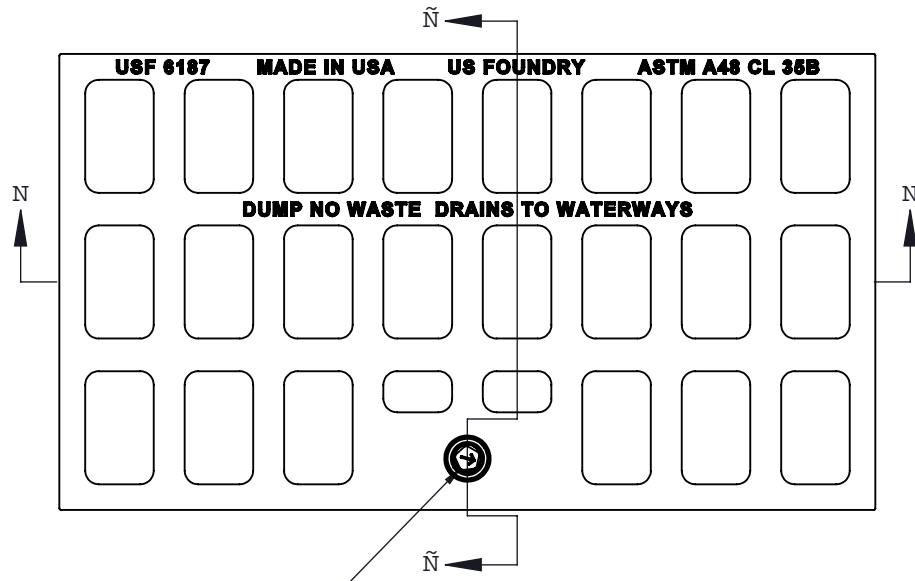
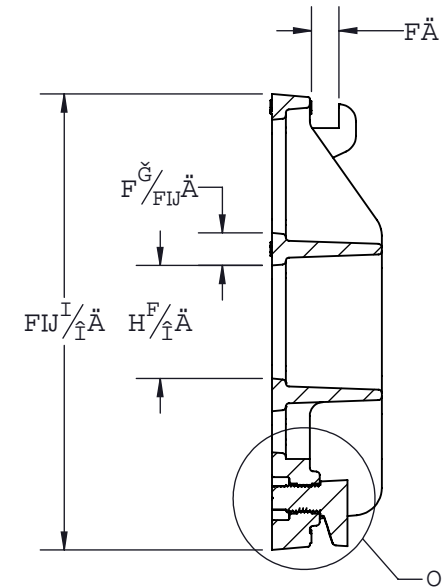


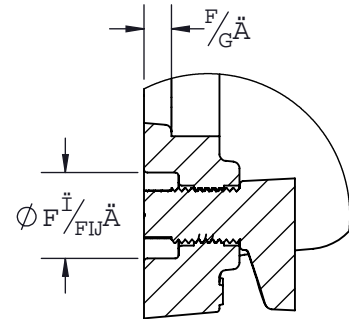
H:9B:CFA5HCB7CBH5B9B8B4H:6BF5K8:4H:9GC@DFCD9FMC:1G:C1B8FM/A5BI:57HF8:7CFD*5BMF9DFC817HC8B4D5FH
 CF5G5K<C@K4C1HH9KFFH9B D9FA4GCBC:1G:C1B8FM/A5BI:57HF8:7CFD*6DFC<6+98*1G:C1B8FM/A5BI:57HF8:
 7CFD*F99FJ9GH9F<HHC A579AC8@75HC8GHC89G@BK4H:C1HDFCFBCH798F5K8:41B7CBHFC@98K<9BDF4H98*K9<HG
 5B88A9BGC8G5F9DFCJ498:CF F9.9F9B79CB@M#&S%1G:C1B8FM5B95: @A5BI:57HF8:7CAD5BM



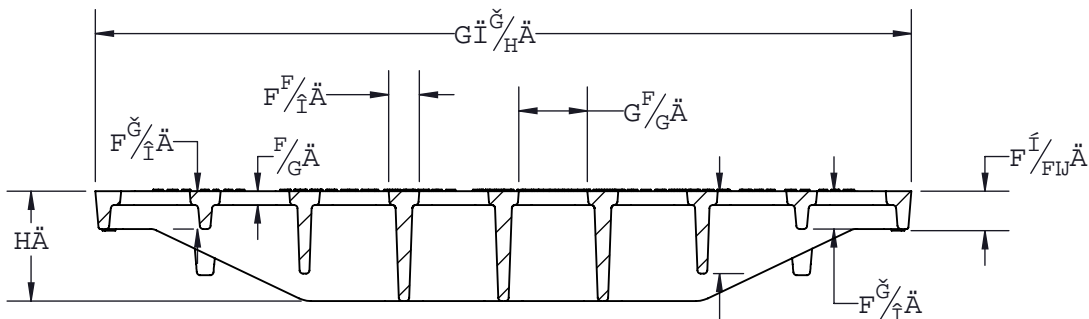
ÇFDÛæä&æQ~'←ÁÚ]*æÁF



UÓÓÛØŠŠÁÑĚÑ



ÆÓÚNØQÁO



UÓÓÛØŠŠÁÑĚÑ

ĞÄ

 **US FOUNDRY**
 AN EAGLE MANUFACTURING COMPANY

I G: *% + ; fUHY
 HL8CHŽ'K YX[Y@CW

© 58 F5HB: . CCUJ VQ/O528/32J gcx{ 'F w{ : @K 5F95. 44; 04'lp	
A 5H9F-5@ I tc{ 'Ecu'Kqp CUVO/C6: 'Encu'57D	
#A.	655B' 8F5K B:
; fUHY	: 299298 85HP 7B64237
	8F5K B 6M WNUICD
F9J 2 85HP	F9J 6M E1CH9. 6256

71 gftca Yf.8fuk]bl