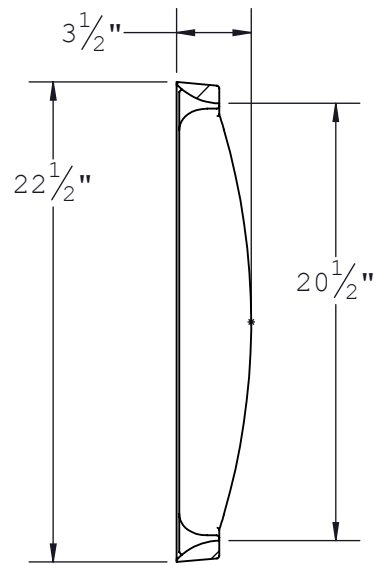
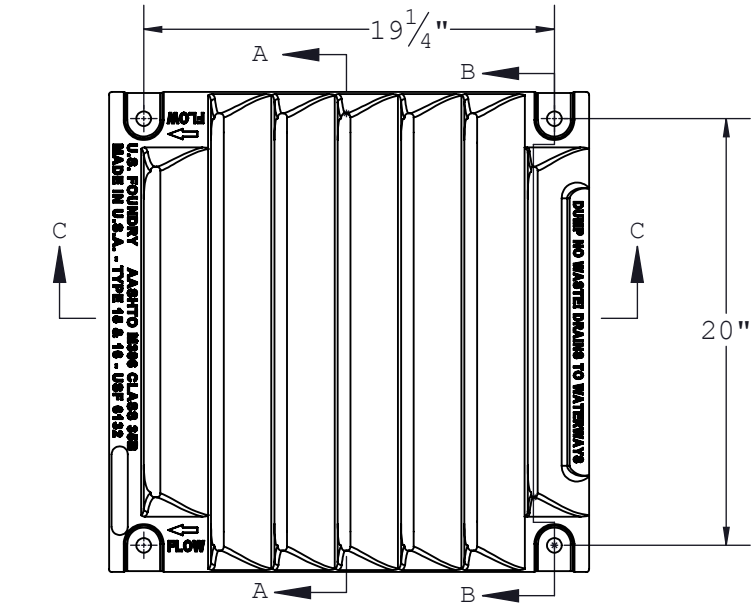
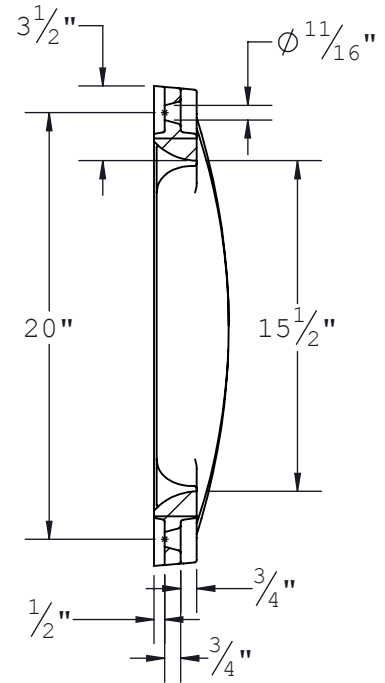


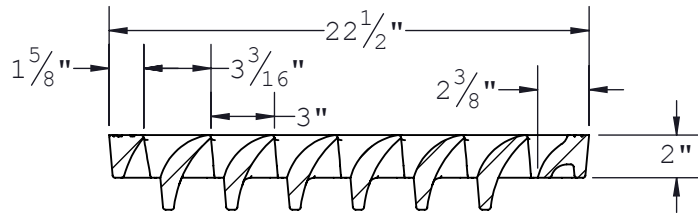
THE INFORMATION CONTAINED IN THIS DRAWING IS THE SOLE PROPERTY OF U.S. FOUNDRY & MANUFACTURING CORP. ANY REPRODUCTION IN PART OR AS A WHOLE WITHOUT THE WRITTEN PERMISSION OF U.S. FOUNDRY & MANUFACTURING CORP. IS PROHIBITED. U.S. FOUNDRY & MANUFACTURING CORP. RESERVES THE RIGHT TO MAKE MODIFICATIONS TO DESIGN WITHOUT PRIOR NOTICE. DRAWING IS UNCONTROLLED WHEN PRINTED. WEIGHTS AND DIMENSIONS ARE PROVIDED FOR REFERENCE ONLY © 2014 US FOUNDRY AN EAGLE MANUFACTURING COMPANY



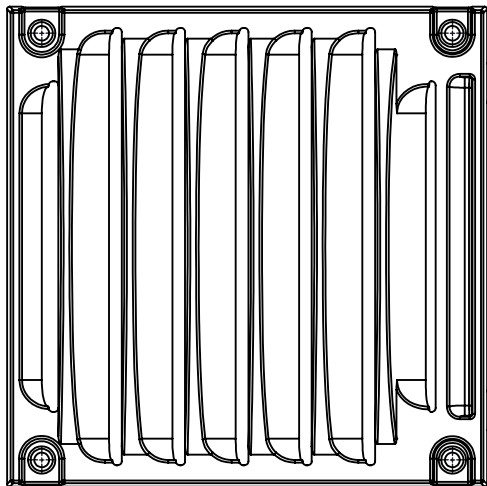
SECTION A-A



SECTION B-B



SECTION C-C



US FOUNDRY

AN EAGLE MANUFACTURING COMPANY © 2014 All Rights Reserved

8351 NW 93rd Street
Medley, FL, 33166-2025
ph: 1-800-432-9709
fax: 305-887-9429
www.usfoundry.com

USF 6132 Grate
INDOT, Type 15 & 16

LOAD CLASSIFICATION:		Heavy Duty	
MATERIAL:		Gray Cast Iron ASTM-A48 Class 35B	
ITEM:	BAAN #	DRAWING	USF 6132
Grate	8070790	DATE	03-05-2012
		DRAWN BY	ULS
REV	0	DATE	REV BY
			QUOTE #
			3386

Customer Drawing