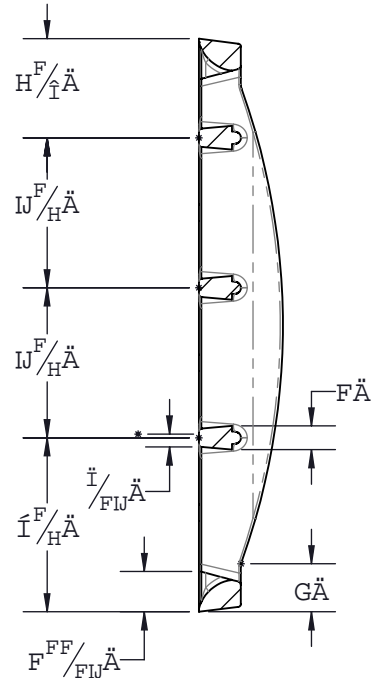
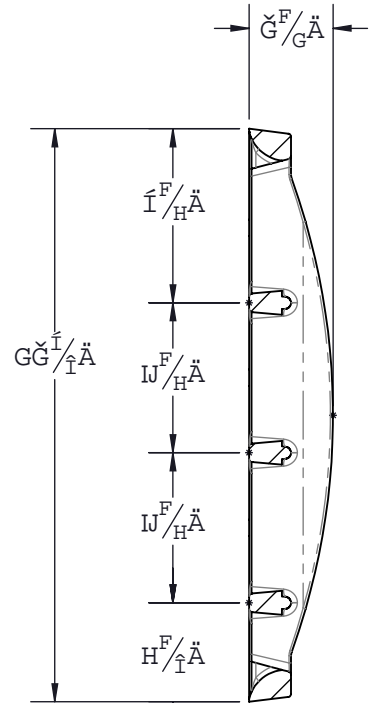
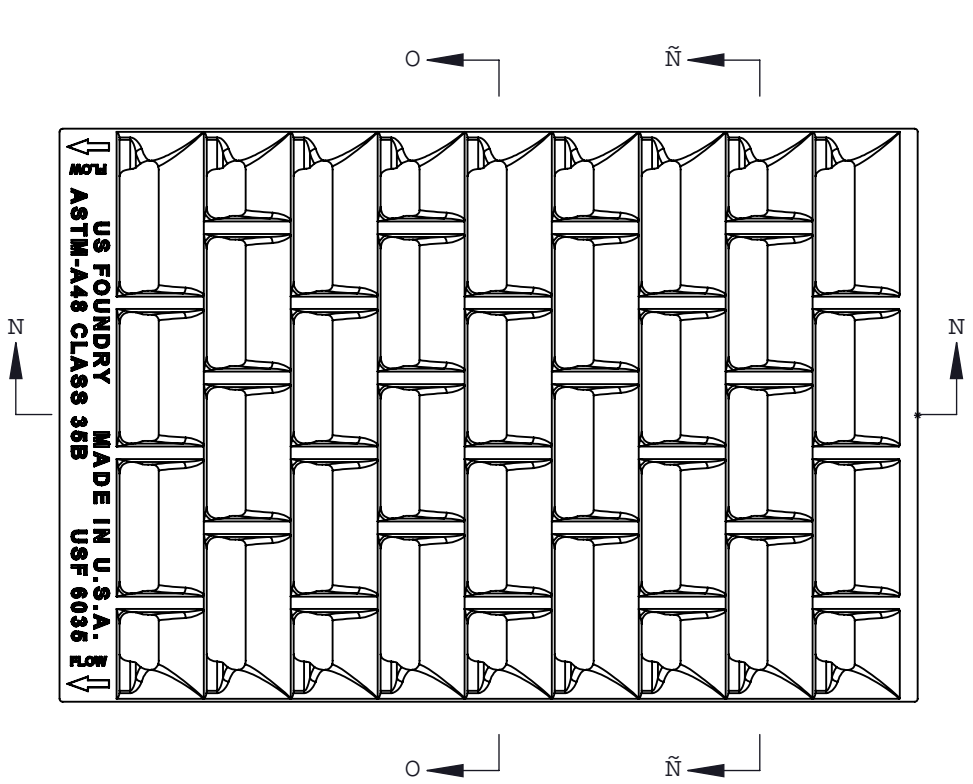
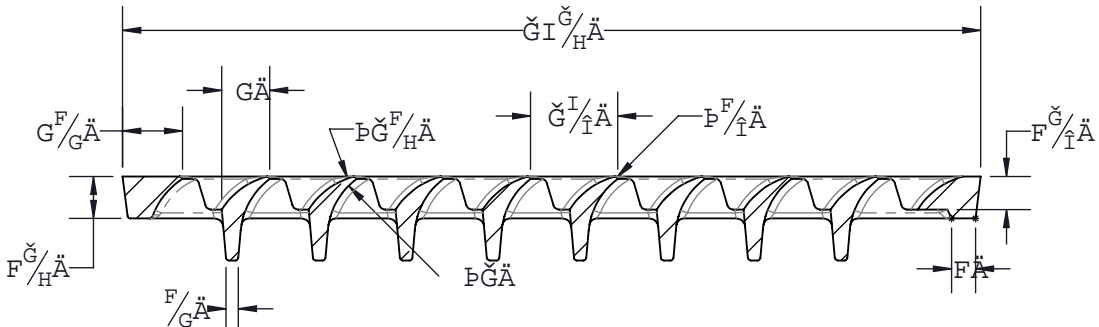


H:9B:CFA5HC B7CBH6B98 B H:68F5K B: 4H:9GC@DFCD9FHC: 1'G:C1B8FM' A5BI:57HF B: 7CFD'5BMF9DFC8I7HC B 4D5FH  
 CF5G5K <C@K H:C1HH9K F#H9B D9FA GGCBC: 1'G:C1B8FM' A5BI:57HF B: 7CFD'6DFC-6+98'1'G:C1B8FM' A5BI:57HF B:  
 7CFD'F99FJ 9GH9F# <HC A579A C8#75HC BGC 89G# B K H:C1HDFCFBCH7 9'8F5K B: 4I B7CBHC@98 K <9B DF4H8'K 9# <HG  
 5B8 8A 9BGC BG5F9DFCJ 498: CF F9 9F 9B79CB@M# &S% 1'G:C1B8FM5B'95: @9A5BI:57HF B: 7CAD5BM



UÓÚØSSÁOËO

UÓÚØSSÁNËÑ



UÓÚØSSÁNËÑ


**US FOUNDRY**  
 AN EAGLE MANUFACTURING COMPANY

I G: '\* \$' ) 'J UbY; fUHÿ

@C 58 7 @GG# 7 5HC B.		J gcx{ 'F w{	
A 5H9F 5@		I tc{ 'Ecuw'Kqp CUVO 'C/6: 'Ercuu'57D	
#9A.	655B'	8F5K B:	<b>WUH8257</b>
		85HP	<b>7434236</b>
		8F5K B 6M	<b>WNU</b>
F9J	2 85FH	F9J 6M	E1CH9.
	34153B9; ;		62: 9

71 gfrca Yf 8fuk ]bl