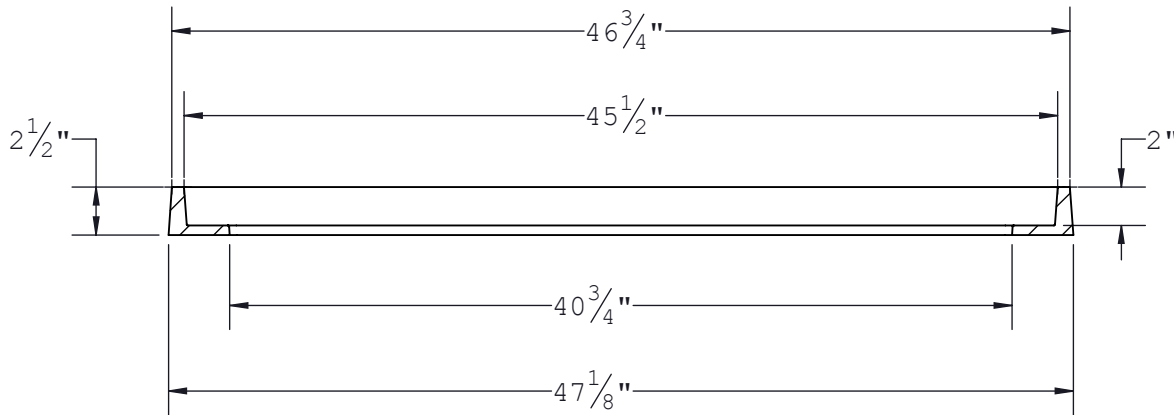
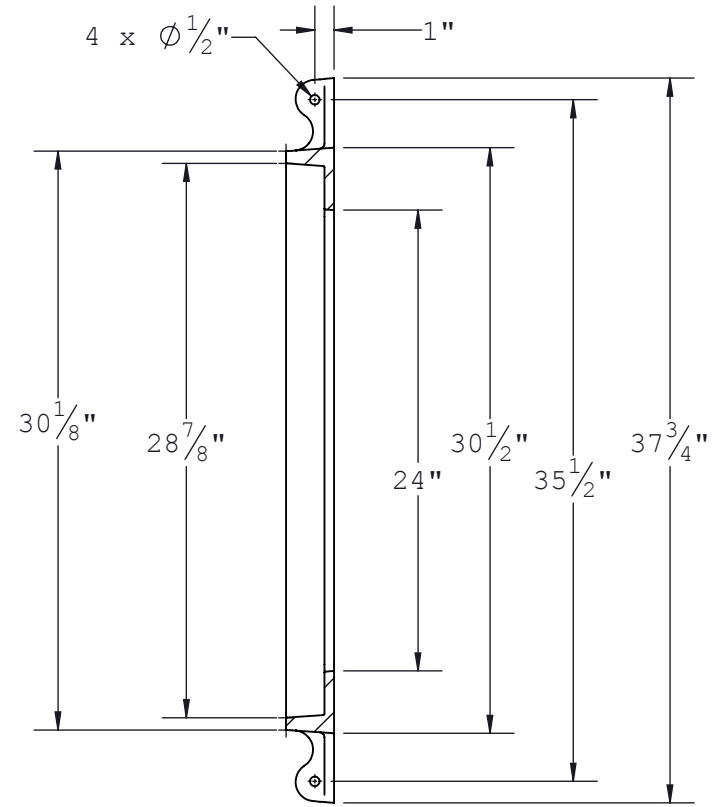
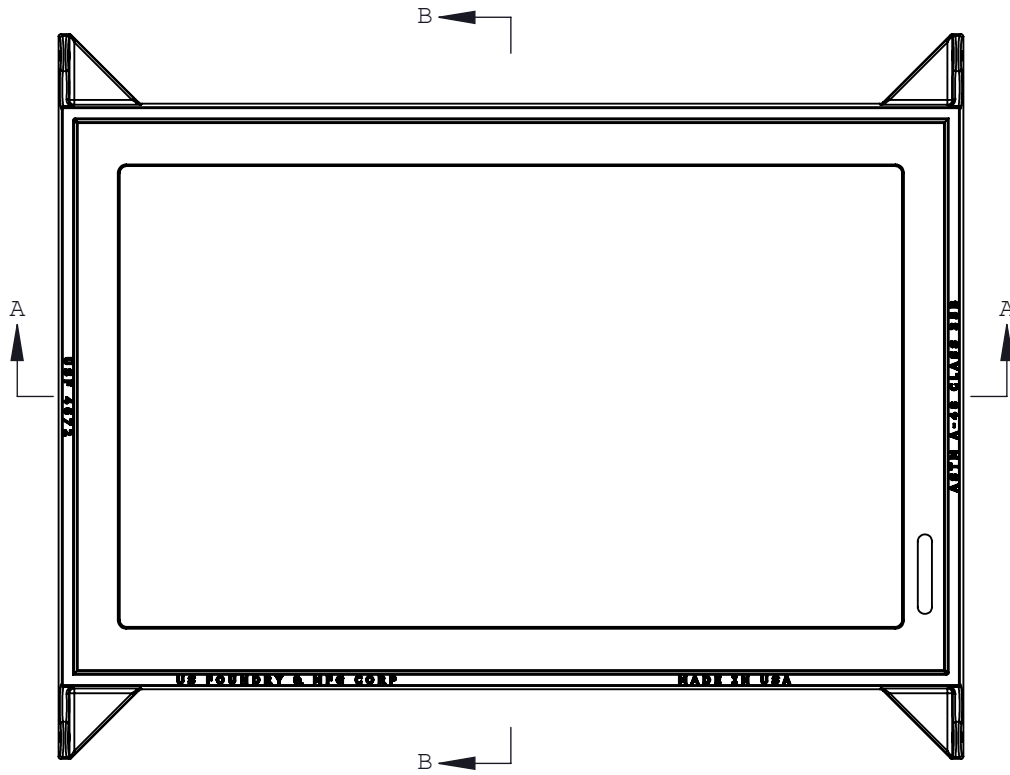


THE INFORMATION CONTAINED IN THIS DRAWING IS THE SOLE PROPERTY OF U.S. FOUNDRY & MANUFACTURING CORP. ANY REPRODUCTION IN PART OR AS A WHOLE WITHOUT THE WRITTEN PERMISSION OF U.S. FOUNDRY & MANUFACTURING CORP. IS PROHIBITED. U.S. FOUNDRY & MANUFACTURING CORP. RESERVES THE RIGHT TO MAKE MODIFICATIONS TO DESIGN WITHOUT PRIOR NOTICE. DRAWING IS UNCONTROLLED WHEN PRINTED. WEIGHTS AND DIMENSIONS ARE PROVIDED FOR REFERENCE ONLY © 2014 US FOUNDRY AN EAGLE MANUFACTURING COMPANY



SECTION A-A
SCALE 1 : 10

SECTION B-B
SCALE 1 : 10

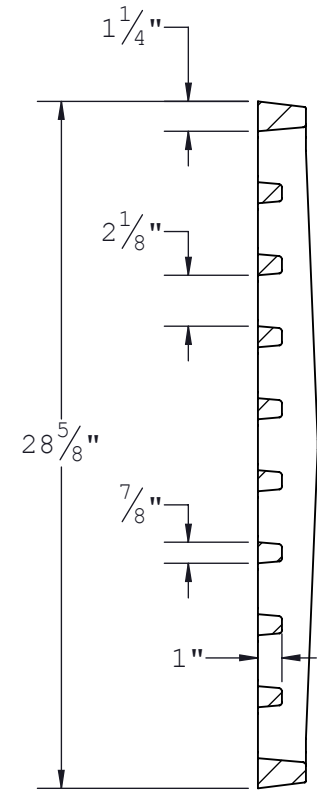
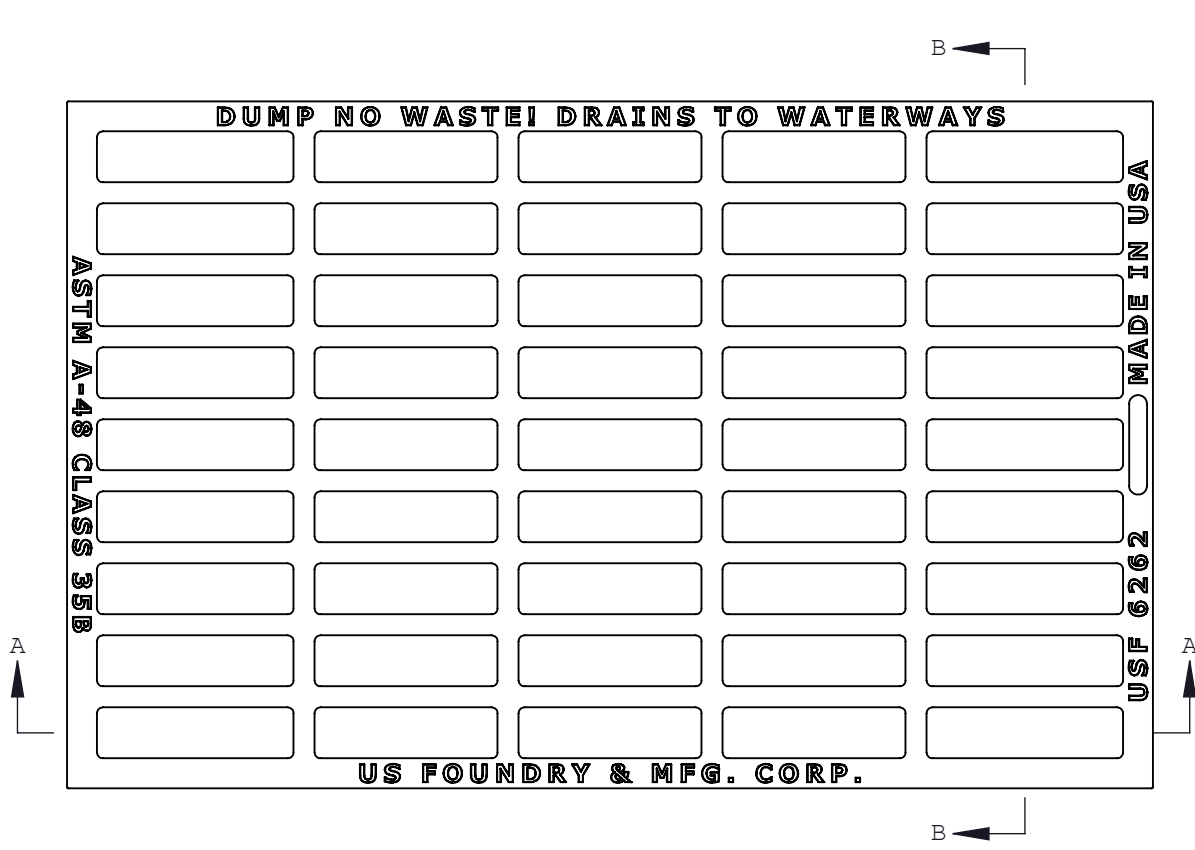
8351 NW 93rd Street
Medley, FL, 33166-2025
ph: 1-800-432-9709
fax: 305-887-9429
www.usfoundry.com
AN EAGLE MANUFACTURING COMPANY © 2014 All Rights Reserved

USF 4672 Frame

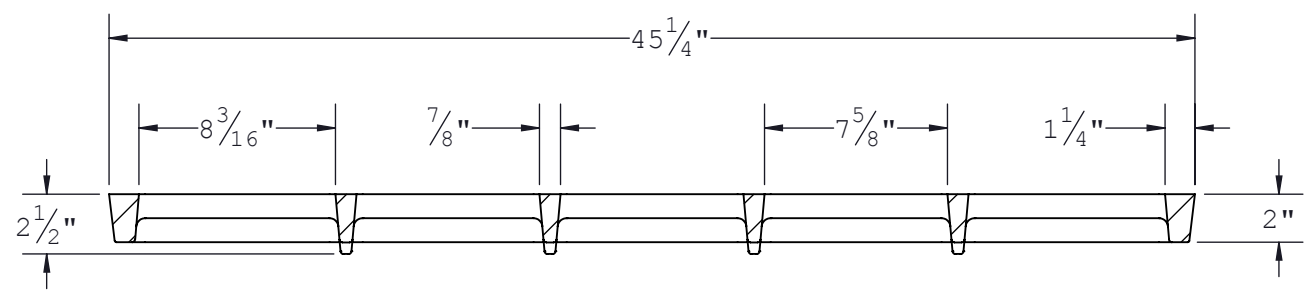
MATERIAL:		Gray Cast Iron ASTM-A48 Class 35B	
ITEM:	BAAN #	DRAWING	USF 4672
Frame	8030468	DATE	11-15-12
		DRAWN BY	OD
REV	0	DATE	QUOTE # 3703

Customer Drawing

THE INFORMATION CONTAINED IN THIS DRAWING IS THE SOLE PROPERTY OF U.S. FOUNDRY & MANUFACTURING CORP. ANY REPRODUCTION IN PART OR AS A WHOLE WITHOUT THE WRITTEN PERMISSION OF U.S. FOUNDRY & MANUFACTURING CORP. IS PROHIBITED. U.S. FOUNDRY & MANUFACTURING CORP. RESERVES THE RIGHT TO MAKE MODIFICATIONS TO DESIGN WITHOUT PRIOR NOTICE. DRAWING IS UNCONTROLLED WHEN PRINTED. WEIGHTS AND DIMENSIONS ARE PROVIDED FOR REFERENCE ONLY © 2014 US FOUNDRY AN EAGLE MANUFACTURING COMPANY



SECTION B-B



SECTION A-A

8351 NW 93rd Street
 Medley, FL, 33166-2025
 ph: 1-800-432-9709
 fax: 305-887-9429
 www.usfoundry.com
 AN EAGLE MANUFACTURING COMPANY © 2014 All Rights Reserved

USF 6262 Grate

LOAD CLASSIFICATION: Heavy Duty		FLOW AREA: 748.2 in²
MATERIAL: Gray Cast Iron		ASTM-A48 Class 35B
ITEM:	BAAN #	DRAWING
		USF 6262
Grate	8076893	DATE
		11-14-12
		DRAWN BY
		OD
REV	DATE	REV BY
0		
		QUOTE #
		3703

Customer Drawing