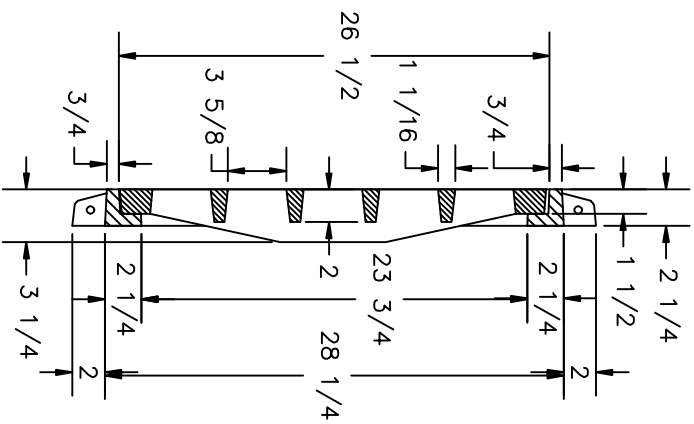


A-A SECTION



B-B SECTION



US FOUNDRY & MFG. CORP.
 8351 NW 93rd Street, Medley, FL 33166-2025
 ph: 1-800-432-9709, fax: 305-887-9429
 www.usfoundry.com
 © 2010 US Foundry & Mfg. Corp. All Rights Reserved

USF 4649 FRAME & 6264 GRATE
 (USF6264 = 2 x USF6263(80701477))

LOAD CLASSIFICATION: Heavy Duty	FLOW AREA=327.18in ²
MATERIAL: ASTM-A48 GRAY IRON	CLASS35B
Frame No: 8030202	WGHT: 115
Scale: 1"=1"	
Grate No: 8070269	DATE: 08-29-07
Assembly No: 8040153	DWN: PLS/OD
UNLESS OTHERWISE NOTED WEIGHT IS IN POUNDS AND APPROXIMATED	
REV: DATE: REV BY: QUOTE#	