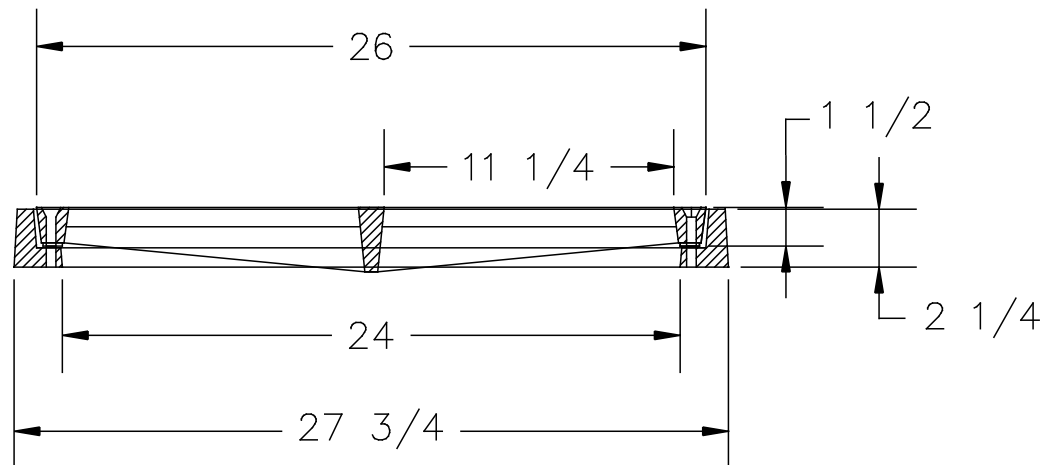



(4) 3/8 ϕ COUNTERSUNK S.S. FLATHEAD MACHINE SCREWS



NOTES:

- 1- MATERIAL: ASTM-A48 CLASS 35B GRAY IRON
- 2- FRAME WT: 65 LBS. APP.
- 3- GRATE WT: 65 LBS. APP. EA.

 U.S. FOUNDRY & MFG. CORP. MEDLEY, FLORIDA		
USF 4622 FRAME AND 6297 GRATE		
DWN. BY: AWS	SCALE: 1/8"=1"	DATE: 7/27/95
CHK. BY:	DWG. NO: A3416	REV: