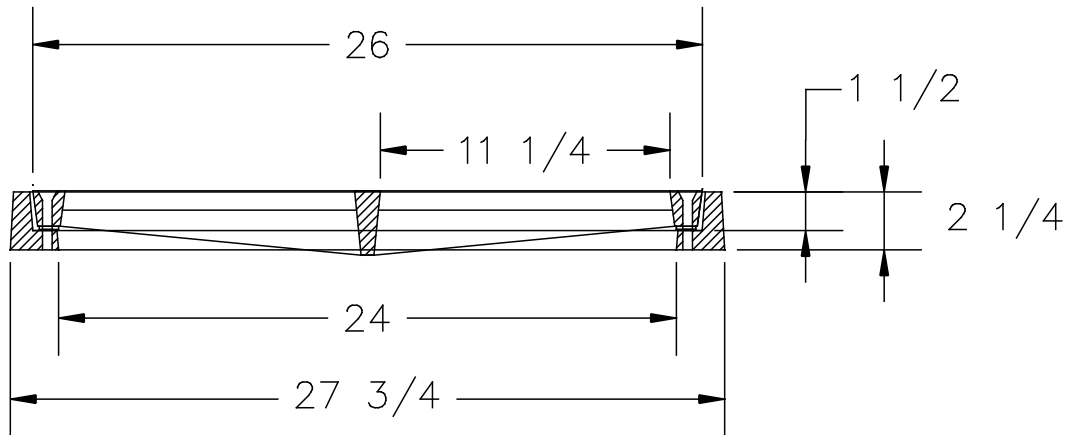
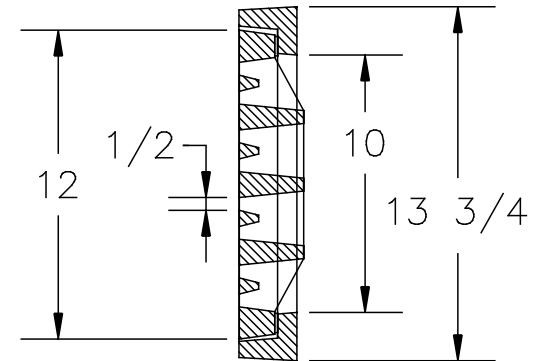
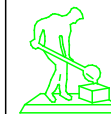


(2) 3/8 ϕ COUNTERSUNK S.S.
FLATHEAD MACHINE SCREWS



NOTES:

- 1- MATERIAL: ASTM-A48 CLASS 35B GRAY IRON.
- 2- FRAME WT: 50 LBS. APP.
- 3- GRATE WT: 65 LBS. APP.



U.S. FOUNDRY & MFG. CORP.
MEDLEY, FLORIDA

USF 4621 FRAME AND 6296 GRATE

DWN. BY: AWS	SCALE: 1/8"=1"	DATE: 7/27/95
CHK. BY:	DWG. NO: A3415	REV: