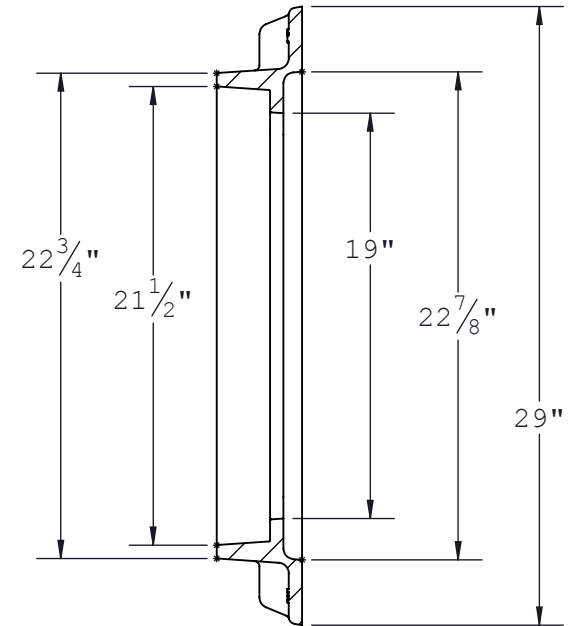
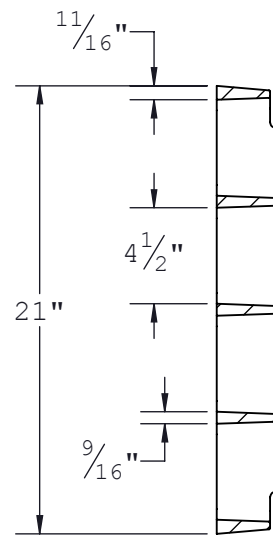
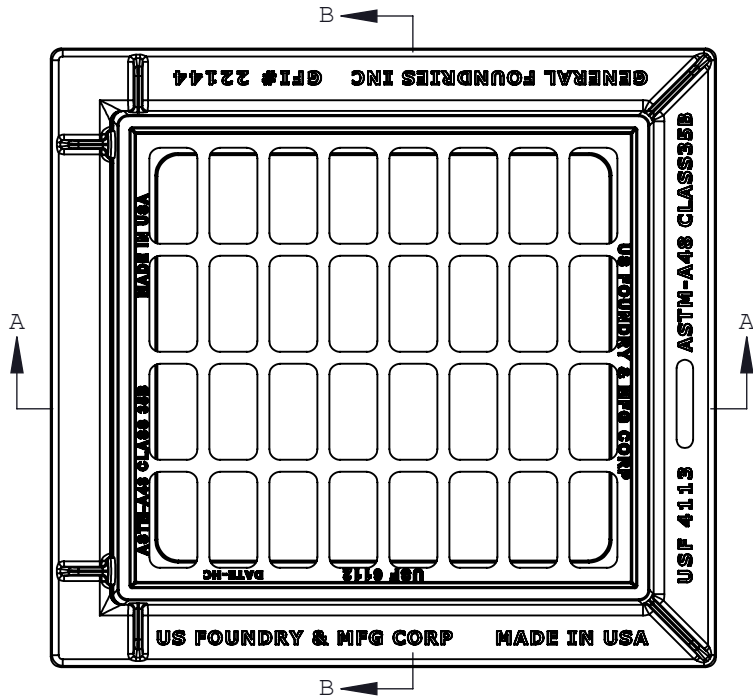
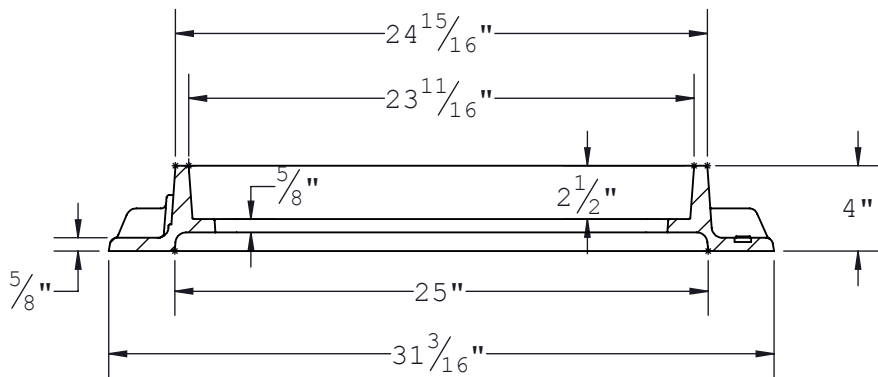
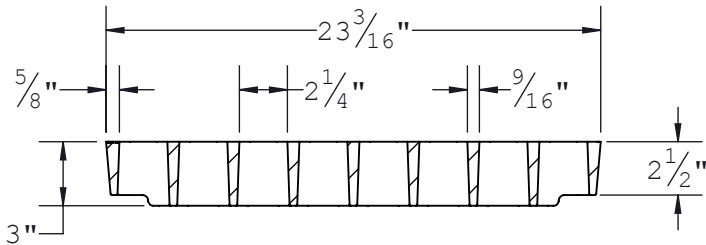


THE INFORMATION CONTAINED IN THIS DRAWING IS THE SOLE PROPERTY OF U.S. FOUNDRY & MANUFACTURING CORP. ANY REPRODUCTION IN PART OR AS A WHOLE WITHOUT THE WRITTEN PERMISSION OF U.S. FOUNDRY & MANUFACTURING CORP. IS PROHIBITED. U.S. FOUNDRY & MANUFACTURING CORP. RESERVES THE RIGHT TO MAKE MODIFICATIONS TO DESIGN WITHOUT PRIOR NOTICE. DRAWING IS UNCONTROLLED WHEN PRINTED. WEIGHTS AND DIMENSIONS ARE PROVIDED FOR REFERENCE ONLY © 2012 U.S. Foundry & Mfg. Corp. All Rights Reserved



SECTION B-B
SCALE 1 : 9



SECTION A-A
SCALE 1 : 9



U.S. FOUNDRY & MFG. CORP.
8351 NW 93rd Street, Medley, FL, 33166-2025
ph: 1-800-432-9709; fax: 305-887-9429
www.usfoundry.com

© 2012 U.S. Foundry & Mfg. Corp. All Rights Reserved

USF 4113 Frame & 6112 Grate

[NH Type B DR-1 4", GFI]

LOAD CLASSIFICATION:	Heavy Duty	FLOW AREA:	307in ² =2.13ft ²
MATERIAL:	Gray Cast Iron	ASTM-A48 Class	35B
ITEM:	BAAN #	DRAWING	
Frame	8030434	USF 4113-6112	
Grate	8076855	DATE	08-16-2012
Assembly	8040389	DRAWN BY	apj
REV	0	DATE	QUOTE #
			3594

Customer Drawing