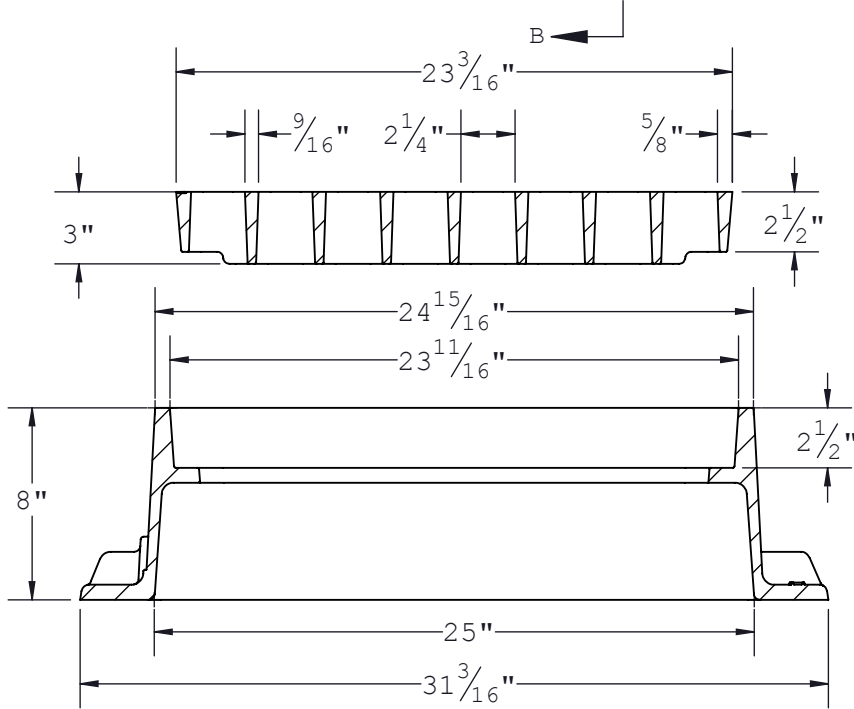
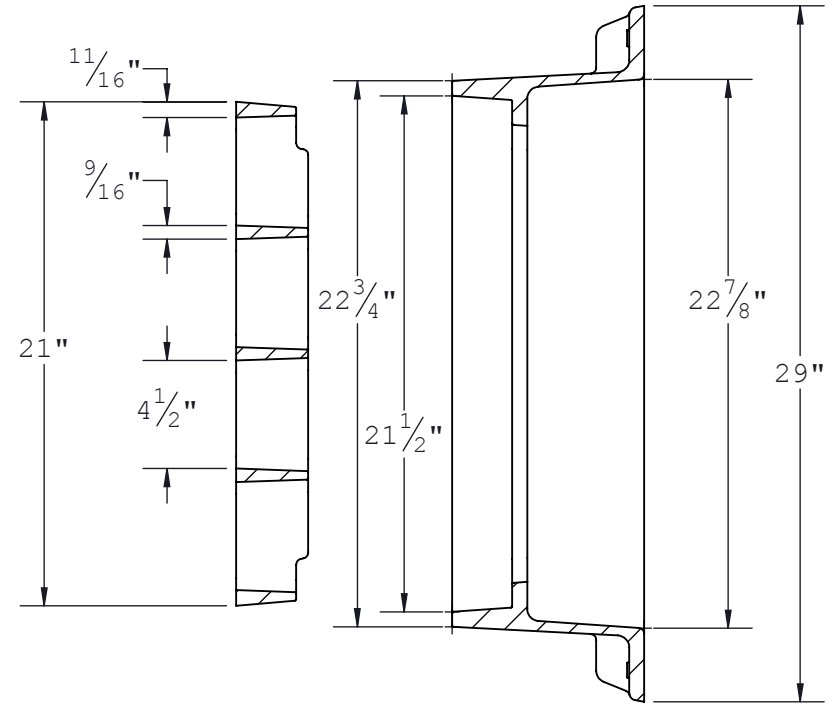
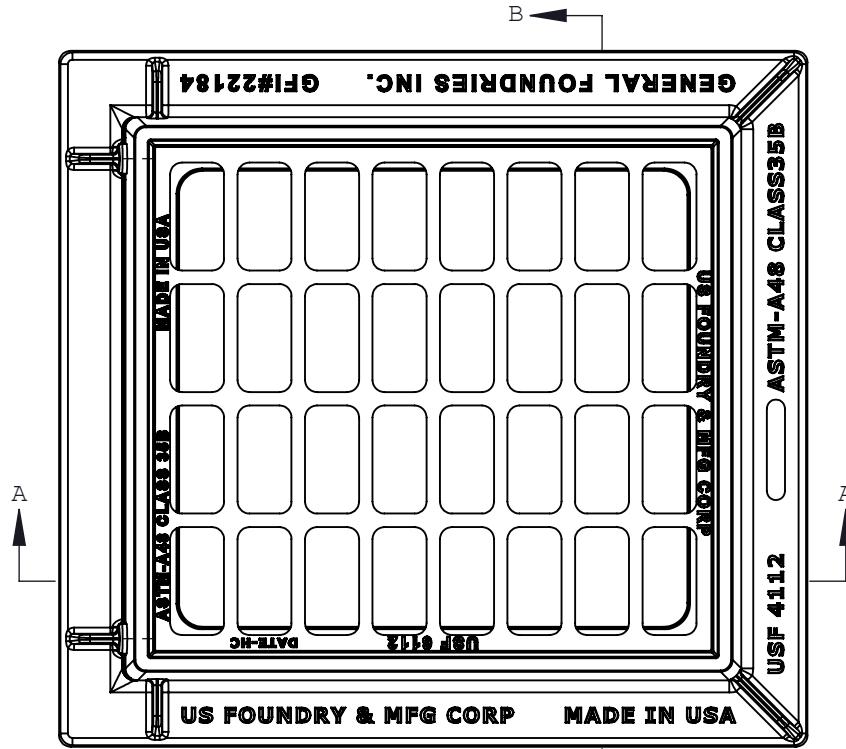


THE INFORMATION CONTAINED IN THIS DRAWING IS THE SOLE PROPERTY OF U.S. FOUNDRY & MANUFACTURING CORP. ANY REPRODUCTION IN PART OR AS A WHOLE WITHOUT THE WRITTEN PERMISSION OF U.S. FOUNDRY & MANUFACTURING CORP. IS PROHIBITED. U.S. FOUNDRY & MANUFACTURING CORP. RESERVES THE RIGHT TO MAKE MODIFICATIONS TO DESIGN WITHOUT PRIOR NOTICE. DRAWING IS UNCONTROLLED WHEN PRINTED. WEIGHTS AND DIMENSIONS ARE PROVIDED FOR REFERENCE ONLY © 2012 U.S. Foundry & Mfg. Corp. All Rights Reserved

SECTION B-B  
SCALE 1 : 8



SECTION A-A  
SCALE 1 : 8



**U.S. FOUNDRY & MFG. CORP.**  
8351 NW 93rd Street, Medley, FL, 33166-2025  
ph: 1-800-432-9709; fax: 305-887-9429  
www.usfoundry.com  
© 2013 U.S. Foundry & Mfg. Corp. All Rights Reserved

**USF 4112 Frame & 6112 Grate**  
[NH Type B DR-1 8", GFI]

LOAD CLASSIFICATION: Heavy Duty		FLOW AREA: 307in <sup>2</sup> =2.13ft <sup>2</sup>
MATERIAL: Gray Cast Iron		ASTM-A48 Class 35B
ITEM:	BAAN #	DRAWING
Frame	8030432	USF 4112-6112
Grate	8076855	DATE
		08-02-2012
Assembly	8040388	DRAWN BY
		ULS/OD
REV	0	DATE
		REV BY
		QUOTE #
		3592

Customer Drawing