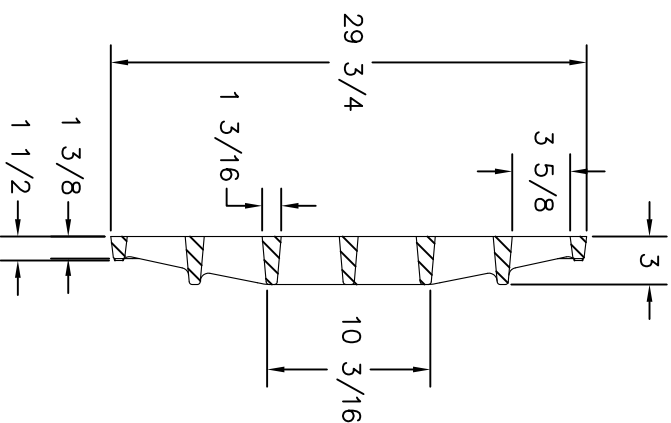
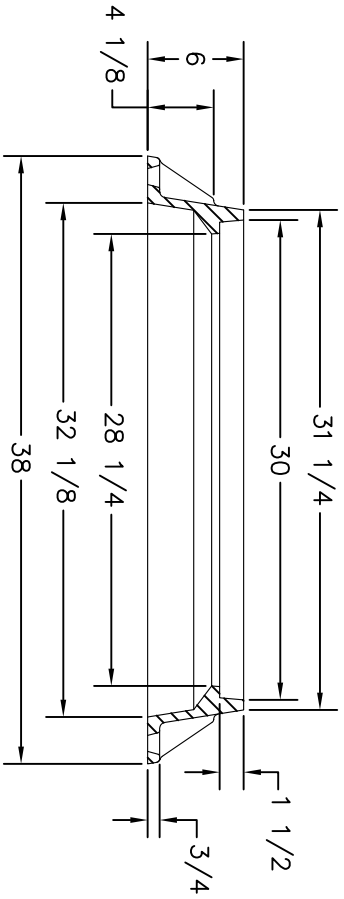
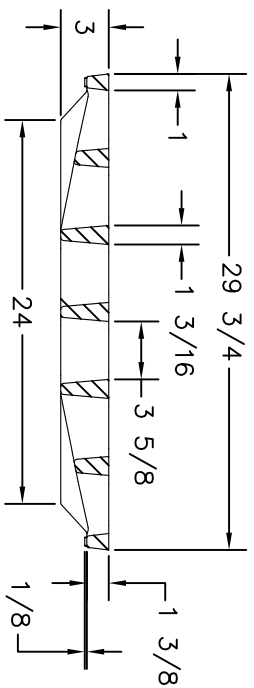


(4)-Ø1" ANCHOR HOLES



U.S. FOUNDRY & MFG. CORP.
 8351 NW 93rd Street, Medley, FL 33166-2025
 ph: 1-800-432-9709; fax: 305-887-9429
 www.usfoundry.com
 © 2010 US Foundry & Mfg. Corp. All Rights Reserved

USF 4108 FRAME & 6355 GRATE
 TX DOT Type A

LOAD CLASSIFICATION: Heavy Duty	FLOW AREA=465.4in ²
MATERIAL: ASTM-A48 GRAY IRON CLASS35B	
Frame No: 8030317	WGHT: 230
Scale: 1"=1"	
Grate No: 8070633	DATE:
Assembly No: 8040321	DWN. BY: ULS
UNLESS OTHERWISE NOTED WEIGHT IS IN POUNDS AND APPROXIMATED	
REV: DATE:	REV BY: QUOTE#