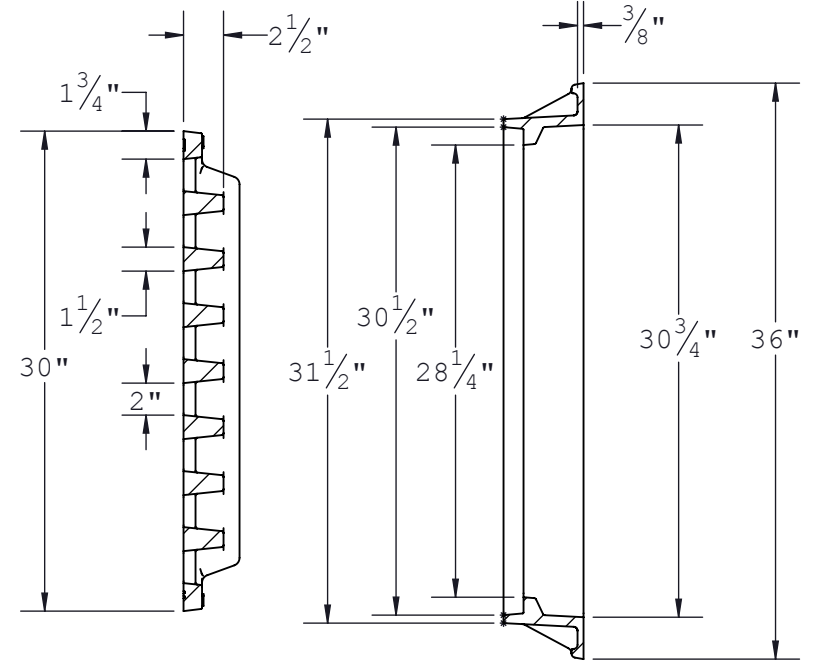
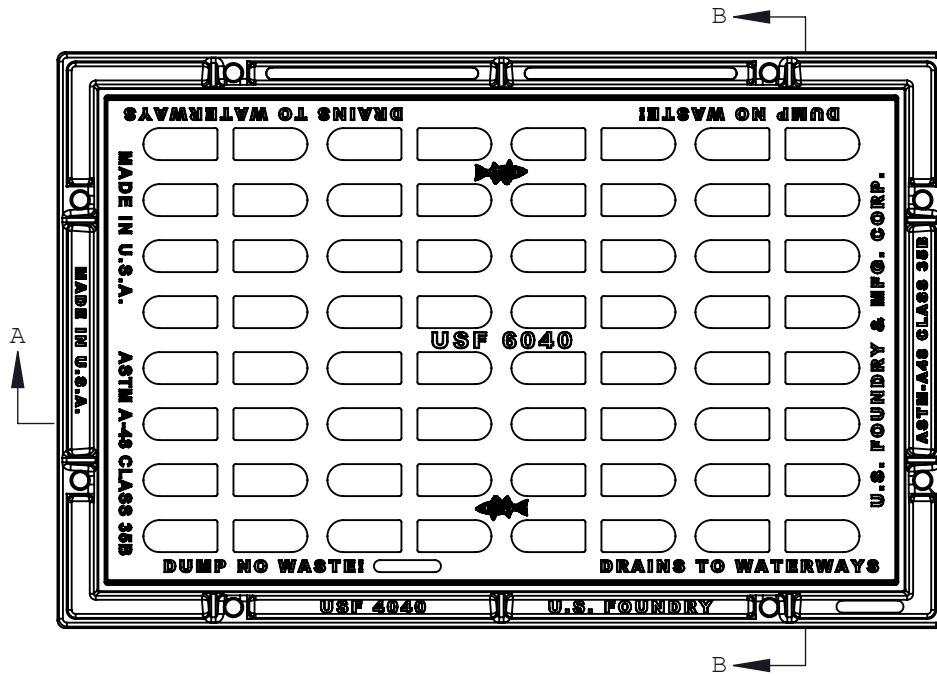
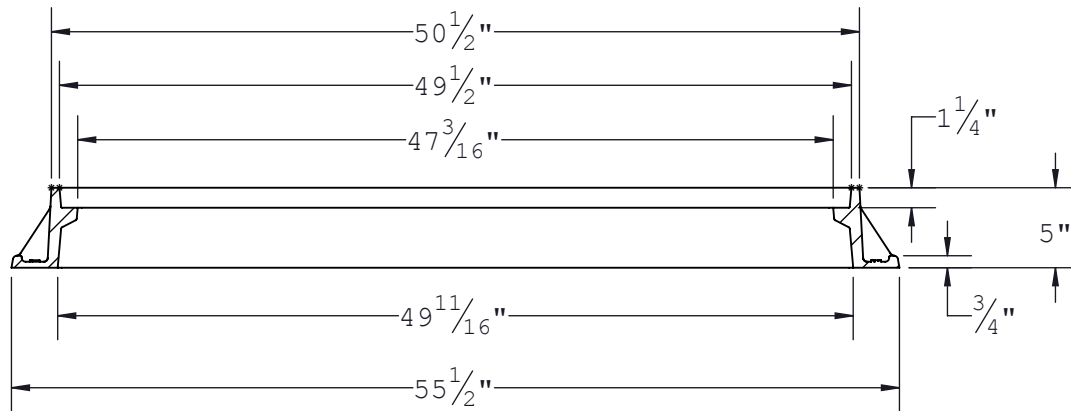
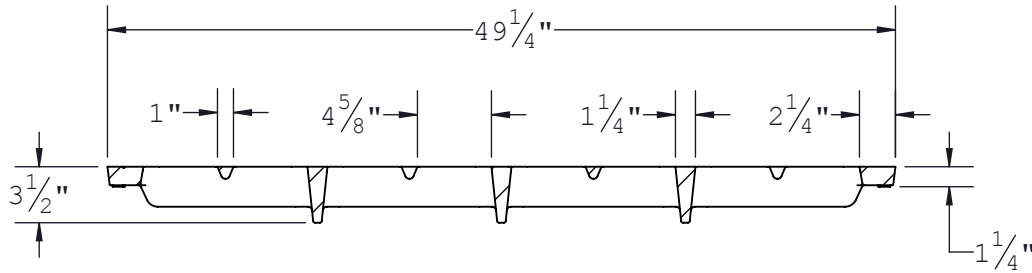


THE INFORMATION CONTAINED IN THIS DRAWING IS THE SOLE PROPERTY OF U.S. FOUNDRY & MANUFACTURING CORP. ANY REPRODUCTION IN PART OR AS A WHOLE WITHOUT THE WRITTEN PERMISSION OF U.S. FOUNDRY & MANUFACTURING CORP. IS PROHIBITED. U.S. FOUNDRY & MANUFACTURING CORP. RESERVES THE RIGHT TO MAKE MODIFICATIONS TO DESIGN WITHOUT PRIOR NOTICE. DRAWING IS UNCONTROLLED WHEN PRINTED. WEIGHTS AND DIMENSIONS ARE PROVIDED FOR REFERENCE ONLY © 2012 U.S. Foundry & Mfg. Corp. All Rights Reserved



(8) $\phi 1"$
Anchor Holes

SECTION B-B



SECTION A-A



U.S. FOUNDRY & MFG. CORP.
8351 NW 93rd Street, Medley, FL, 33166-2025
ph: 1-800-432-9709; fax: 305-887-9429
www.usfoundry.com

© 2013 U.S. Foundry & Mfg. Corp. All Rights Reserved

USF 4040 Frame & 6040 Grate

LOAD CLASSIFICATION:	Heavy Duty	FLOW AREA:	564.55 in ²
MATERIAL:	Gray Cast Iron ASTM-A48 Class 35B		
ITEM:	BAAN #	DRAWING	
Frame	8030497	USF 4040-6040	
Grate	8076980	DATE	04-17-2013
Assembly	8040396	DRAWN BY	ULS/AB
REV	0	DATE	REV BY
			QUOTE #
			3825