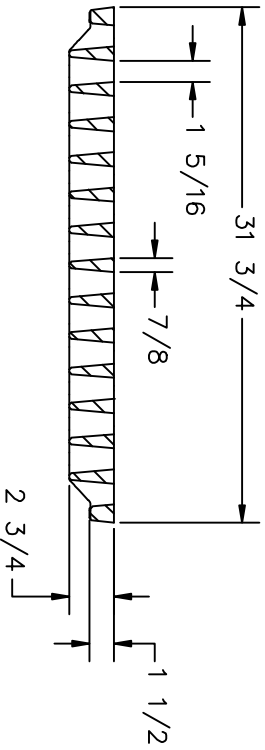
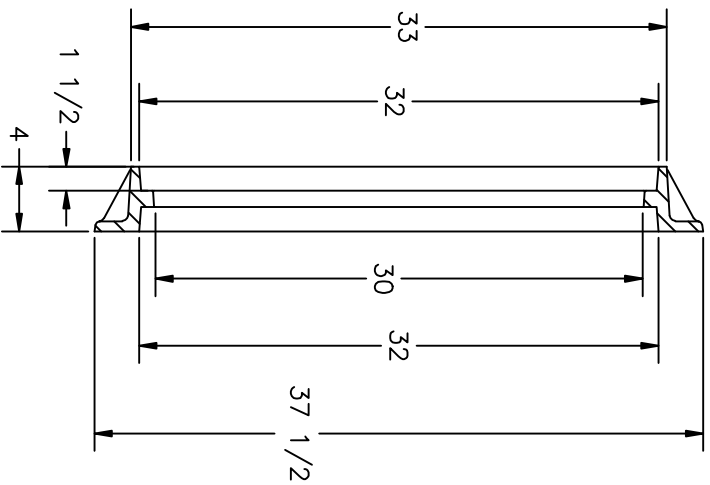
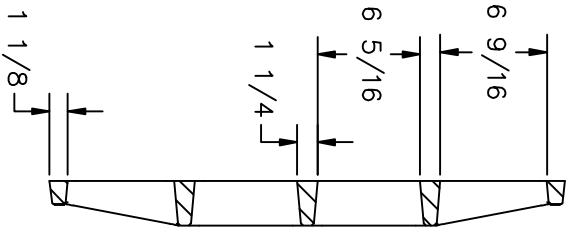


(2)-Ø1' ANCHOR HOLE



US FOUNDRY & MFG. CORP.
 8351 NW 93rd Street, Medley, FL 33166-2025
 ph: 1-800-432-9709; fax: 305-887-9429
 www.usfoundry.com
 © 2010 US Foundry & Mfg. Corp. All Rights Reserved

USF 4000 FRAME & 6349 GRATE
 (USF 4000 = USF 4667 reversible frame)

LOAD CLASSIFICATION: Heavy Duty	
MATERIAL:	ASTM-A48 GRAY IRON CLASS35B
Frame No:	8030254 WGT: 167 SCALE: 1"=1"
Grote No:	8070513 DATE: 03-31-08
Assembly No:	8040269 422 DWN. BY: ULS
UNLESS OTHERWISE NOTED WEIGHT IS IN POUNDS AND APPROXIMATED	
REV: 1	DATE: 04-02-08 REV BY: ULS QUOTE#