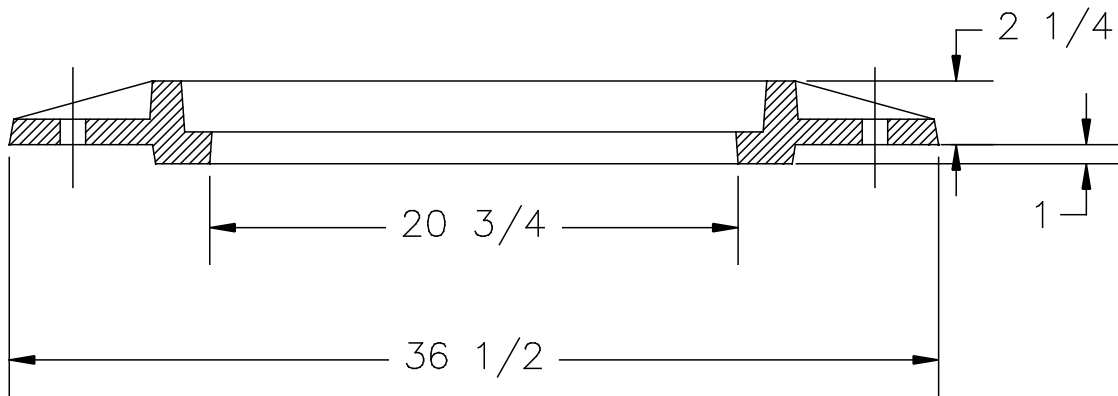
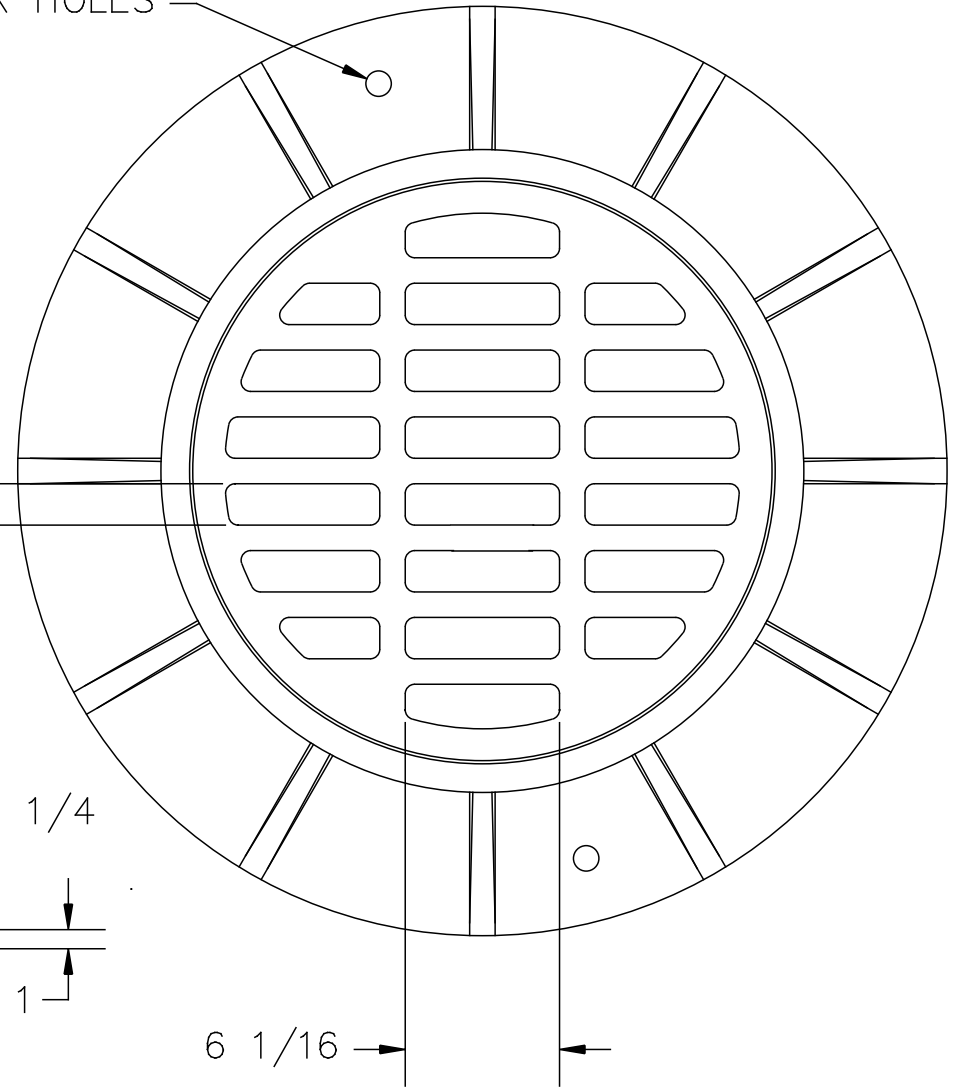
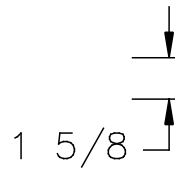
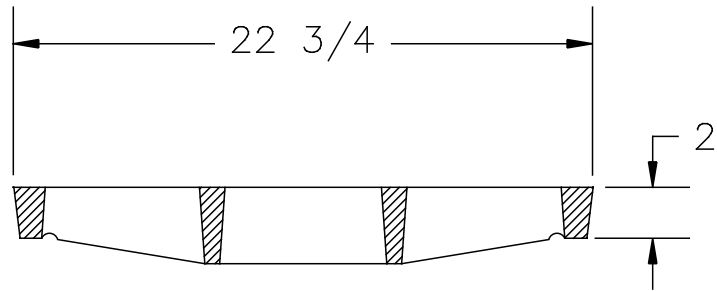
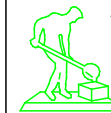


(2)- 1" ANCHOR HOLES



NOTES:

- 1- MATERIAL: ASTM-A48 CLASS 35B GRAY IRON.
- 2- RING WT: 235 LBS. APP.
- 3- COVER WT: 130 LBS. APP.



U.S. FOUNDRY & MFG. CORP.  
MEDLEY, FLORIDA

USF 3150 RING & 5640 GRATE

DWN. BY: DBB	SCALE: 1/8" = 1"	DATE: 9/23/99
CHK. BY:	DWG. NO: A4641	REV: